



HOME PLATE SETUP & REMOVAL
INSTALLATION INSTRUCTIONS

PART # RHP-1
"ONE TIME"™ HOME PLATE, w/ "UP-TIGHT"™ BEVEL

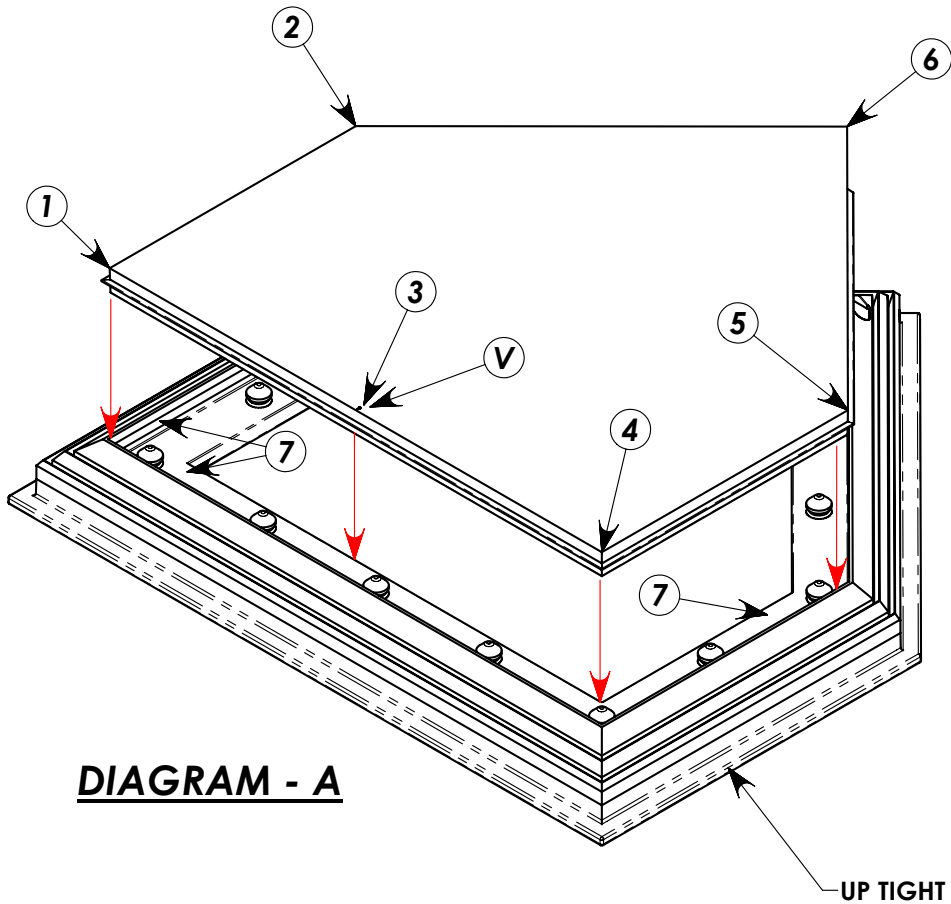


DIAGRAM - A

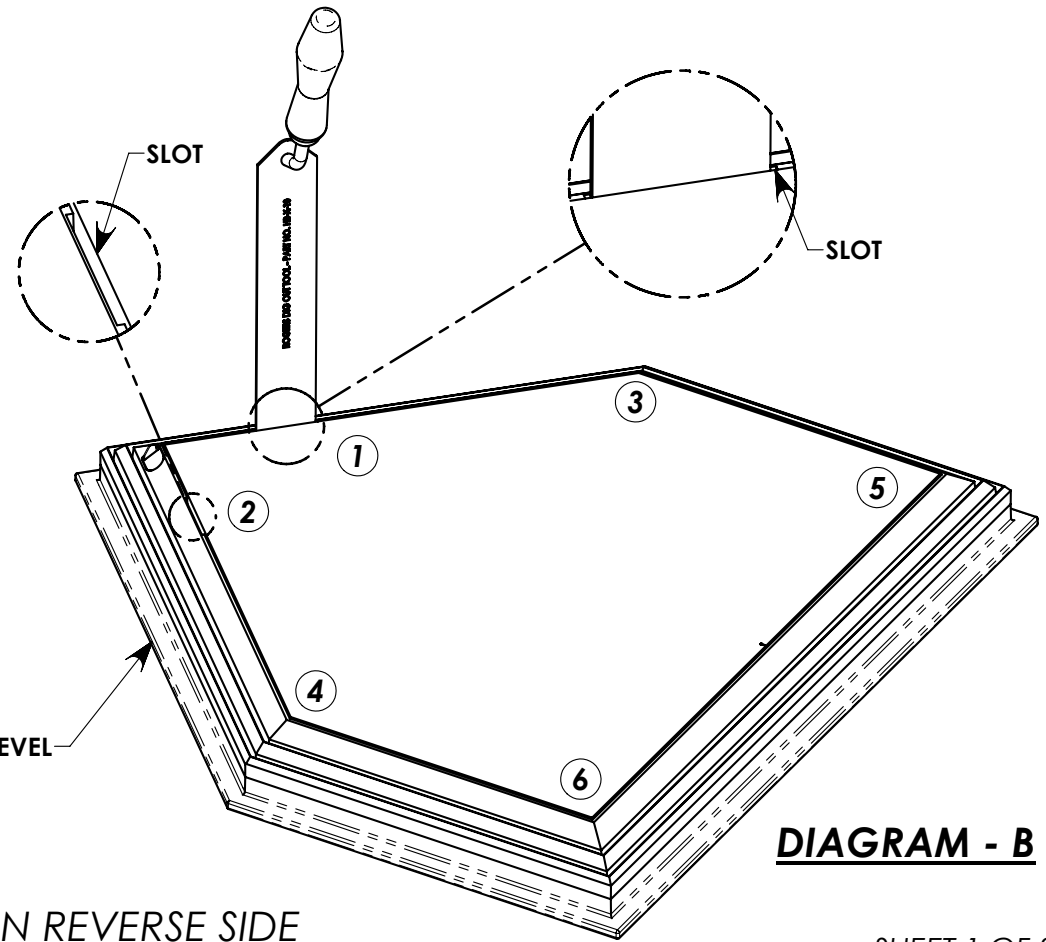


DIAGRAM - B

PATENT PENDING
© Rogers USA Inc. 8-10-06

SEE INSTRUCTIONS ON REVERSE SIDE

THIS DRAWING IS THE PROPERTY OF THE ROGERS USA INC. AND
MAY NOT BE TRACED, USED, OR COPIED IN ANY MANNER WITHOUT
THE WRITTEN AUTHORIZATION OF ROGERS USA INC.



PART # RHP-1
"ONE TIME"™ HOME PLATE, w/ "UP-TIGHT"™ BEVEL

NOTE: The following information pertains to the complete system and the three styles of the white home plate TOP section.. They are, RHP-1T-S (SMOOTH), RHP-1T-SG (SMALL GROOVE) or RHP-1T-LG (LARGE GROOVE) and are available in soft or hard materials.

PLAYING FIELD INSTALLATION INSTRUCTIONS

1. Your RHP-1 Home Plate has come to you pre-assembled and ready to install at the proper field location! - Simply place your home plate within the prepared ground hole at the proper position and elevations, with ONLY the white surface being LEVEL, with the surrounding soil. Be certain the centering mark "V" (positioned in the middle of the front edge at number #3 - see diagram #A on SHEET #1) is properly aligned with the center of the pitchers plate. This is accomplished by attaching the end of the string line, that you use to put down your foul lines, to one of the two STEEL set-up pins (RHP-1P). Remove the red plug (RHP-1PL) from the back center of the home plates "UP-TIGHT" beveled collar and insert the steel pin completely downward into that hole. Stretch the line firmly to the center of the pitchers plate and on to second base to make certain the centering mark on the front of the home plate is exactly aligned and centered. Some may choose to align the home plate with the foul lines extending to first and third base from the points numbered #6 to #2 and #6 to #5 - (see diagram #A on SHEET #1 - read the home plate TOP installation instructions below). This is OK providing the foul lines are at a true 90-degree angle.

2. Remove the steel set-up pin and replace the red rubber plug and securely anchor the position of home plate by refilling and lightly compacting the clay soil up to and around the white home plate edges - add water to assist in the compaction of the soil, if needed. The "Black UP-TIGHT Beveled Collar" is NOT part of the strike zone and will retain dirt within the collar, around the entire plate and should not create bad hops on 59-foot curve balls. When finished you should see only the white portion of the home plate.

3. It is important to leave the white section of the home plate in its assembled position until the excavation holes and uneven clay dirt surfaces around home plate have been filled-in and compacted. You may decide to replace the smooth white top home plate with one of the optional grooved (RHP-1T-SG [baseball] or RHP-1T-LG [softball]) home plates. Wait until the smooth home plate has settled completely into position. When the dirt has been leveled and compacted - this is the time to make the change. These grooved home plates may assist with player slippage. **DO NOT MACHINE DRAG THE HOME PLATE AREA WITH ANY SHARP PENETRATING IMPLEMENTS. THIS COULD START A PREMATURE DISASSEMBLING OF THE HOME PLATE!!! THE PITCHING, HOME PLATE AND BASE AREAS ARE ALL HAND WORK AREAS!**

4. HOME PLATE TOP INSTALLATION - Using the diagram #A on SHEET #1, start with area #1 firmly applying pressure from #1 to #2, press top retaining lip into groove on the "UP-TIGHT" beveled collar. Then, working from #1 to #3, continue on to #4, #5, and #6 and back to #2. When completed the spacing must be consistent between the white home plate top section and the "UP-TIGHT" beveled collar on all five sides!

5. HOME PLATE TOP REMOVAL - Before starting - remove all loose dirt from the white home plate top and around the black "UP-TIGHT" beveled collar. Using the diagram #B on SHEET #1, start with using the ROGERS "DIG OUT"™ tool, part #HB-X-10. Insert tool into slot as shown. Apply pressure downward while tilting the "DIG OUT" tool outward and lifting the home plate edge. Repeat to adjacent side if necessary. Slowly work around the edges to completely remove top. DO NOT ALLOW any loose dirt to lodge on the entire circumference of the surface at the location of #7 (as shown on diagram #A) as this could effect a proper and secure fit of the home plate components.